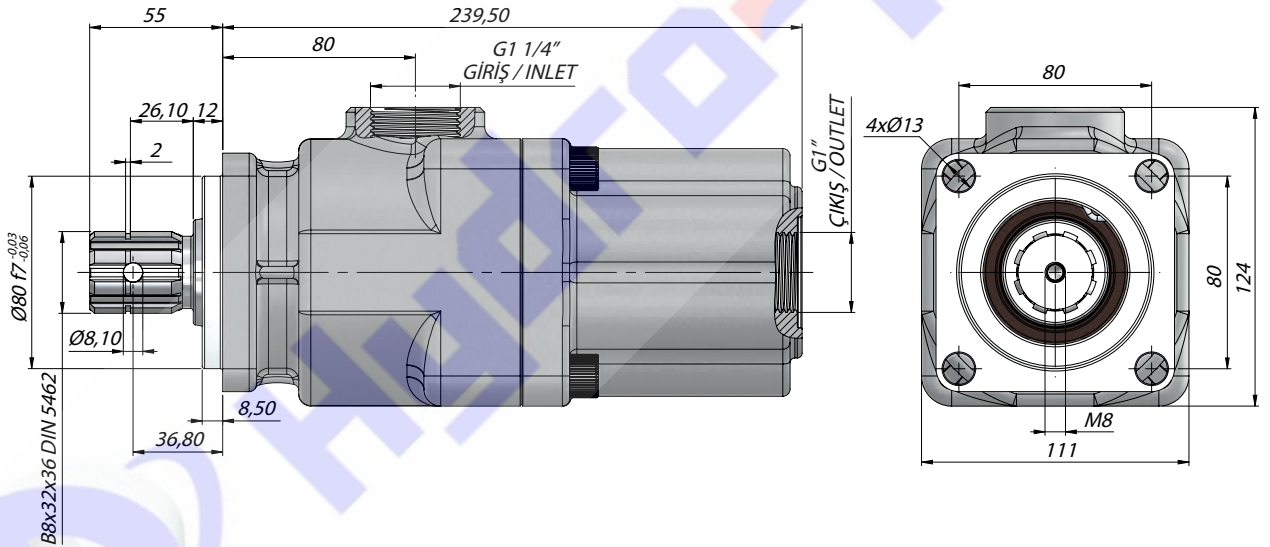
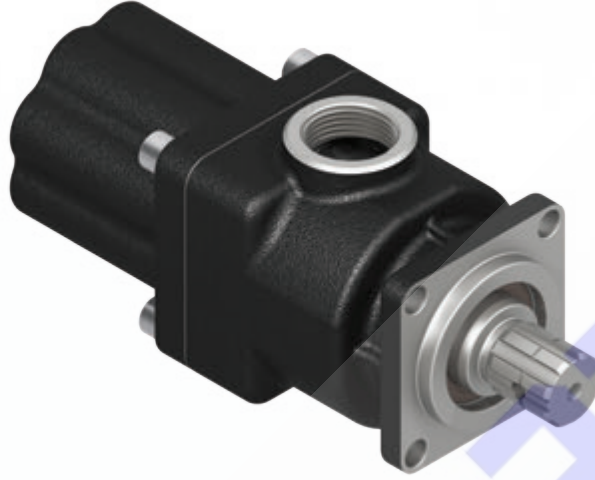
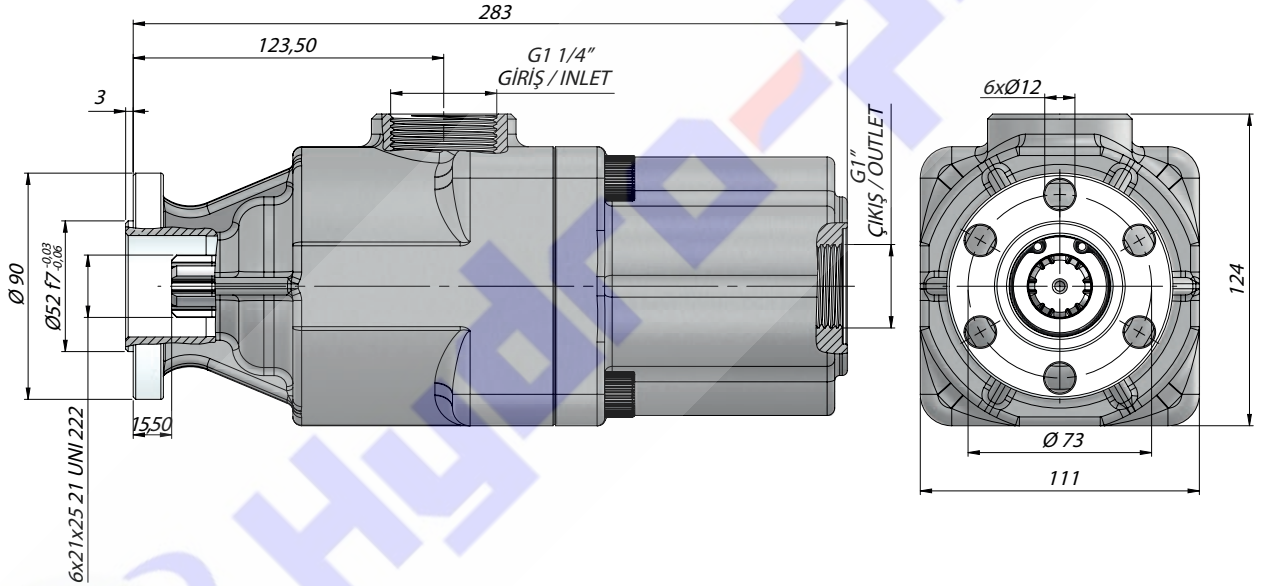


**HİDROLİK SEMBOL**
HYDRAULIC SYMBOL

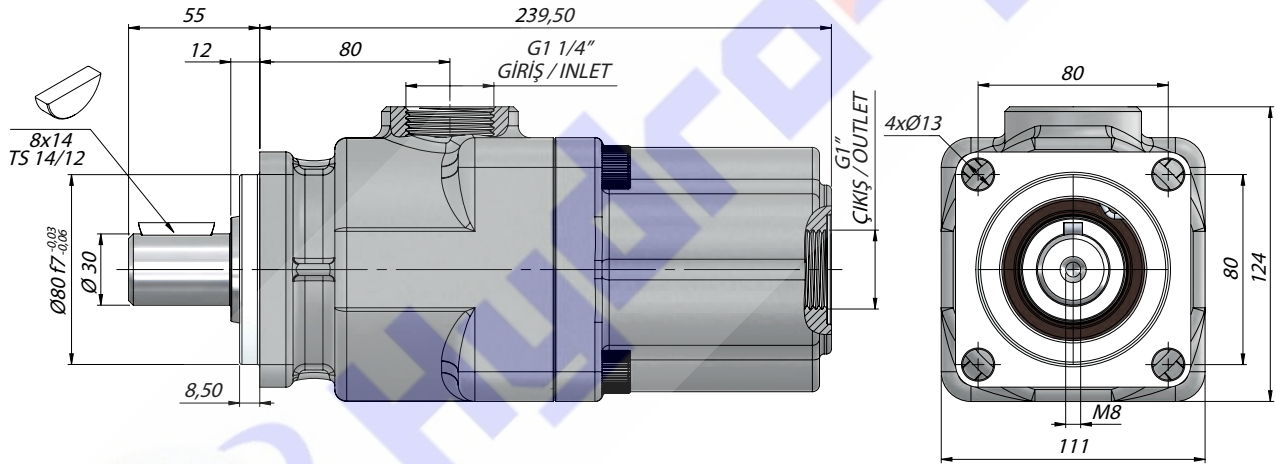
Kod Code	İletim Hacmi Displacement (cm ³ /rev)	Maks.Sürekli Basınç Max.Continuous Pressure (100%)(BAR)	Maks.Aralıklı Basınç Max.Intermittent Pressure (20 sec.max.)(BAR)	Maks.Anlık Basınç Max.Peak Pressure (6 sec.max.)(BAR)	Maks.Sürekli Hız Max.Continuous Speed (RPM)	Min. Hız Min.Speed (RPM)
P0820SF131	20	350	370	400	1800	300
P0826SF131	26					
P0834SF131	34					
P0842SF131	42					
P0846SF131	46					
P0852SF131	52	300	320	350	1500	
P0855SF131	55					
P0860SF131	60					


 HİDROLİK SEMBOL
 HYDRAULIC SYMBOL

 PISTON
 PUMP

Kod Code	İletim Hacmi Displacement	Maks.Sürekli Basınç Max.Continuous Pressure	Maks.Aralıklı Basınç Max.Intermittent Pressure	Maks.Anlık Basınç Max.Peak Pressure	Maks.Sürekli Hız Max.Continuous Speed	Min. Hız Min.Speed
	(cm ³ /rev)	(100%)(BAR)	(20 sec.max.)(BAR)	(6 sec.max.)(BAR)	(RPM)	(RPM)
P0820UF431	20	350	370	400	1800	300
P0826UF431	26					
P0834UF431	34					
P0842UF431	42					
P0846UF431	46					
P0852UF431	52	300	320	350	1500	
P0855UF431	55					
P0860UF431	60					

TEKNİK VERİLER | TECHNICAL DATA

4 DELİKLİ ISO KAMALI PİSTONLU POMPA | 4 HOLES ISO PISTON PUMP WITH KEYPED SHAFT


 HİDROLİK SEMBOL
 HYDRAULIC SYMBOL

 PISTON
 PUMP

Kod Code	İletim Hacmi Displacement	Maks.Sürekli Basınç Max.Continuous Pressure	Maks.Aralıklı Basınç Max.Intermittent Pressure	Maks.Anlık Basınç Max.Peak Pressure	Maks.Sürekli Hız Max.Continuous Speed	Min. Hız Min.Speed
	(cm ³ /rev)	(100%)(BAR)	(20 sec.max.)(BAR)	(6 sec.max.)(BAR)	(RPM)	(RPM)
P0820SK1531	20	350	370	400	1800	300
P0826SK1531	26					
P0834SK1531	34					
P0842SK1531	42					
P0846SK1531	46					
P0852SK1531	52					
P0855SK1531	55	300	320	350	1500	
P0860SK1531	60					